

---

## MODIFICATION

---

### ***PROBLEM:***

You may receive a complaint of the unit producing a very high whistle noise

---

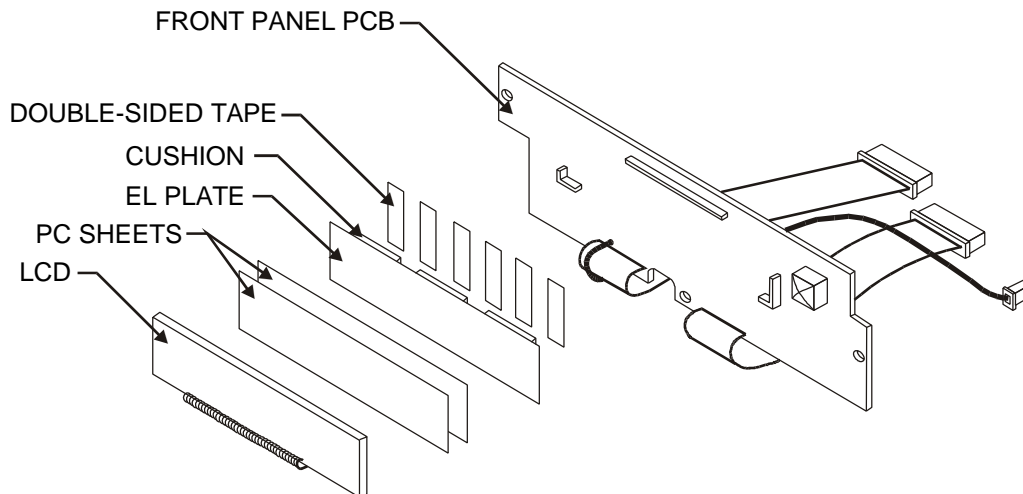
### ***CAUSE:***

The step up transformer for the display circuit is humming

---

### ***SOLUTION:***

1. Insert a transformer with more varnish impregnation
2. Apply glue to fix the step-up transformer to the main pcb
3. Add double sided tape between the cushion at the back of the EL display and the front panel pcb.  
Please refer to the drawing below



---

### ***PRODUCTION:***

This modification will be implemented in production from serialnumber: G0ZC52107201



## *Service Hint*

*for C521/C541 ,C520/C540 , C522/C524*

---

---

*If the cd player has a complaint of not able to play a cdr or out of tolerance discs ,try replacing these capacitors with the following values. This will also provide a cure on some players for “NO DISC” message.*

### *C520/C521 /C522/C524*

*C122 is changed to 2.7pF*

*C123 is changed to 0.01uF*

*C124 is changed to 22pF*

### *C540/C541*

*C122 is changed to 2.7pF*

*C123 is changed to 0.01uF*

*C124 is changed to 22pF*

*C311 is changed to 220pF*

### **Production:**

This change has been implemented in production from serial number: G19C52113901 - C521/C  
G19C54108101 – C541/AH  
G19C54108401 – C541/C

### **Contact:**

**NAD Electronics International**  
633 Granite Court  
Pickering, ON Canada L1K 3K1  
Voice: 905-831-0799 FAX 905-837-6357  
[www.nadelectronics.com](http://www.nadelectronics.com)